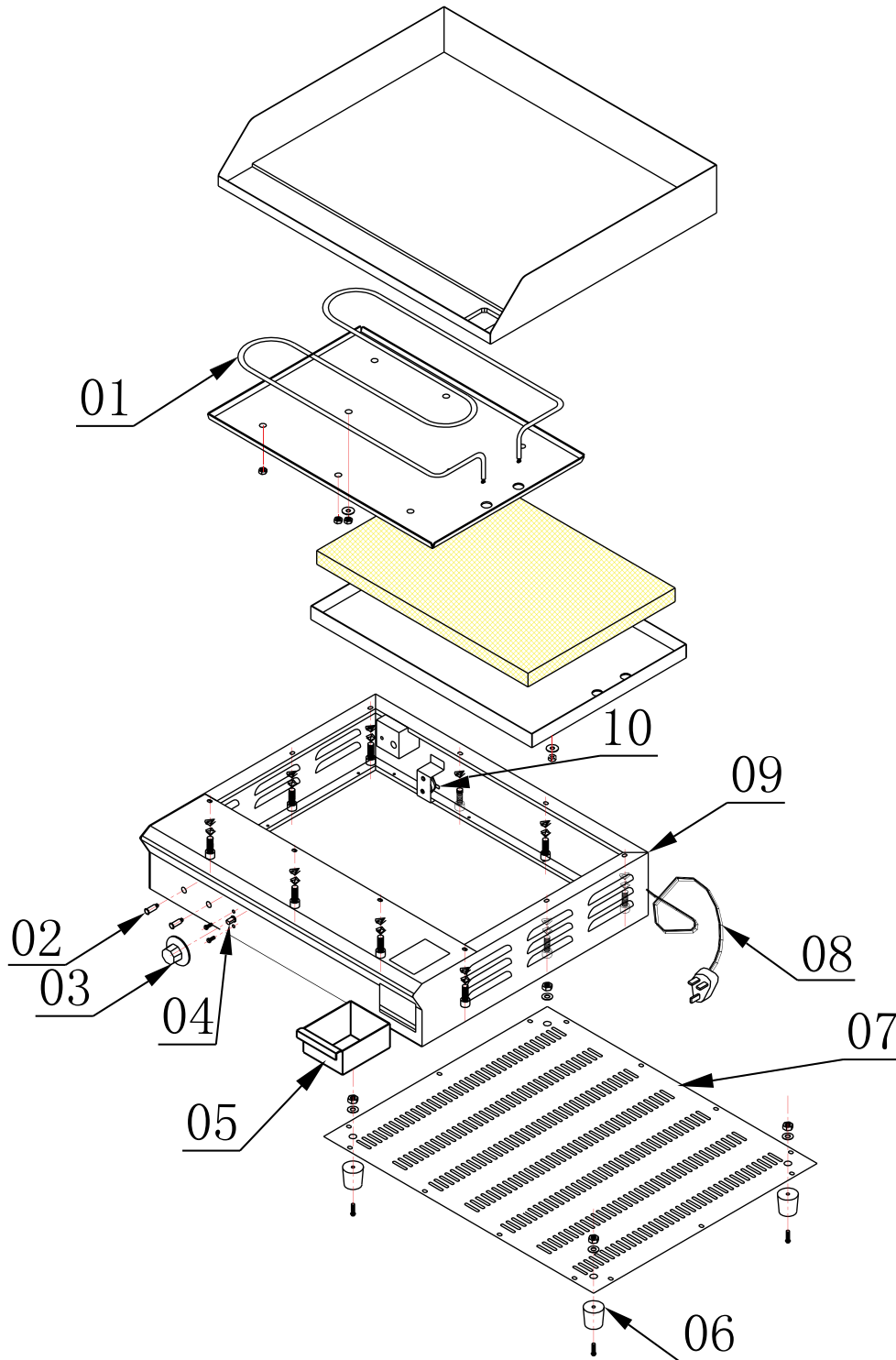


Parts Breakdown

Model CE-CN-1800-G 20179





Parts Breakdown

Model CE-CN-1800-G 20179

Item No.	Description	Position	Item No.	Description	Position	Item No.	Description	Position
31417	Heating Element for 20179	1	35992	Oil Tray for 20179	5	35996	Body for 20179	9
35990	Indicator Light for 20179	2	35993	Foot for 20179	6	31358	Thermal Cut Out for 20179	10
31357	Dial Knob for 20179	3	35994	Bottom for 20179	7			
35991	Thermostat for 20179	4	35995	Plug and Lead for 20179	8			